

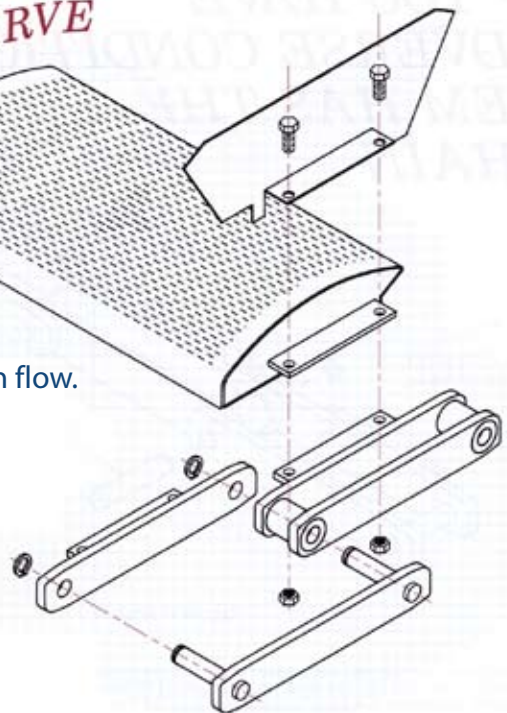
# GEM Hump Belt Blanchers



A LITTLE CURVE

- Unique belt design.
- Simple curves on each panel.
- Delivers and discharges food products in a constant even flow.
- Unperforated area at the edge of each panel is narrower, allowing more uniform steam and air distribution.

*In Business since 1969, GEM combines quality, customer specified equipment with progressive technology and design.*



**equipment OF OREGON inc.**

P.O. Box 359/ 2150 Progress Way Woodburn, OR 97071 Telephone 503-982-9902  
Fx: 503-981-6316 Email: [gem@gemequipment.com](mailto:gem@gemequipment.com) Website: [gemequipment.com](http://gemequipment.com)